



El Mini Lifter® II PRO

INSTALLATION GUIDELINE



MUST READ BEFORE YOU START THE INSTALLATION

Installing a projector in an elevator can be a daunting task, and it is important to take all safety precautions before diving in. Working with an elevator technician is crucial in this process, as they can provide expertise on the elevator's inner workings and ensure that the installation is done correctly.

It's also important to obtain permission from the property management before starting any installation work. This ensures that the installation is in compliance with building regulations and doesn't cause any damage or disturbance to the property.

When working in the elevator, it's crucial not to attempt to stop or manipulate the elevator doors. This can be dangerous and cause harm to both yourself and others. Instead, ask the elevator technician to help you with any necessary adjustments or repairs to the doors.

By following these guidelines and working closely with the elevator technician, you can ensure a safe and successful installation of your projector in the elevator.



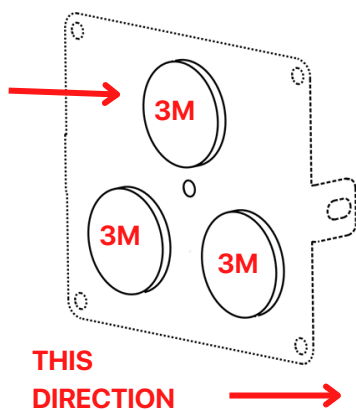
This is an important step to ensure that the projection quality is not compromised by any debris or residue on the surface. You can use a soft cloth or a microfiber cloth to gently remove any dirt or grime. It's also a good idea to use a cleaning solution that is specifically designed for electronics to ensure that the projector remains in good condition. Once the area is clean, you can proceed with attaching the wall mount bracket and aligning the projection film. This will ensure that your elevator has a high-quality display that is free from any distractions or imperfections. Remember to periodically clean the projector working area to maintain optimal performance.

WALL MOUNT BRACKET INSTALLATION

initial steps

STEP 1

- Detach the back plate from the bracket
- Use 3m stickers from a bracket box and stick them on the back side of the bracket plate as it shown here

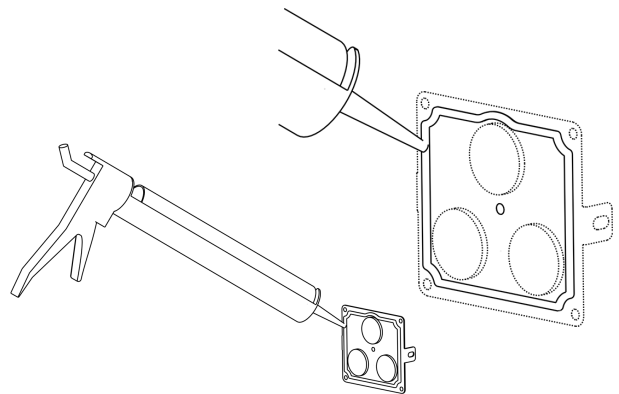


STEP 2

Use Nail-Free Adhesive as it shown on a scheme

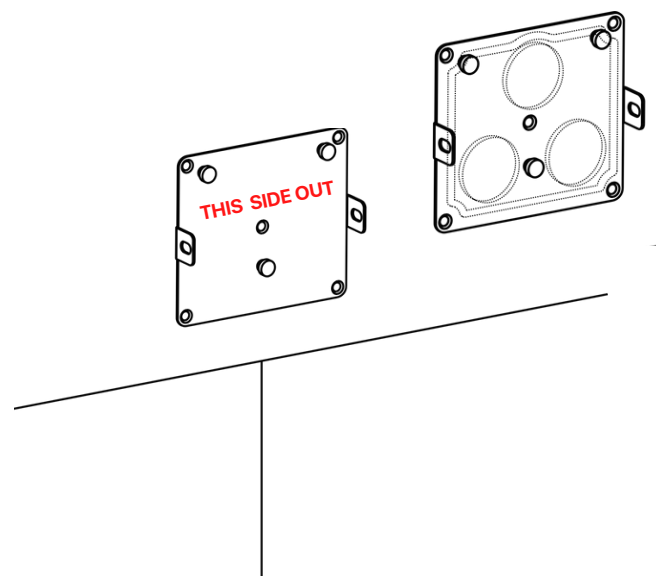
NOTE: You can buy any Nail-Free Adhesive for construction purposes at your country or use the original 3M Adhesive Tapes "3M™ Double Coated Polyethylene Foam Tape 4496B"

<https://www.mouser.com/datasheet/2/1/Mediawebserver-1699440.pdf>



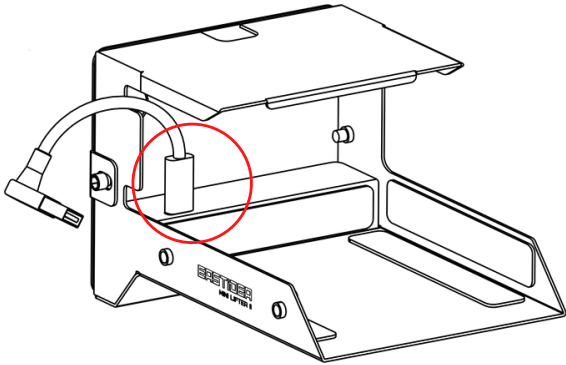
STEP 3

- Attach the bracket metal plank with the adhesive side to the wall where you want to install the projector.
- The best fit will be above the elevator doors in the center, or in between the elevators doors in the lobby
- Press it for 1-2 minutes and let the nail free adhesive and if you use 3M™ Double Coated Polyethylene Foam Tape 4496B to dry and get glewed for 20 minutes
- **NOTE:** 3M stickers which comes with the bracket set are mainly for fixing the bracket position and helping you not to press the plank until it 100% glued to the surface. In order to attach the bracket for a permanent use, follow our recommendations in step 3 above.



STEP 4

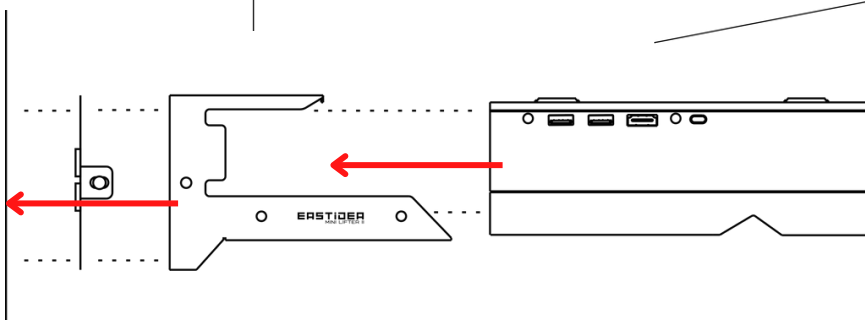
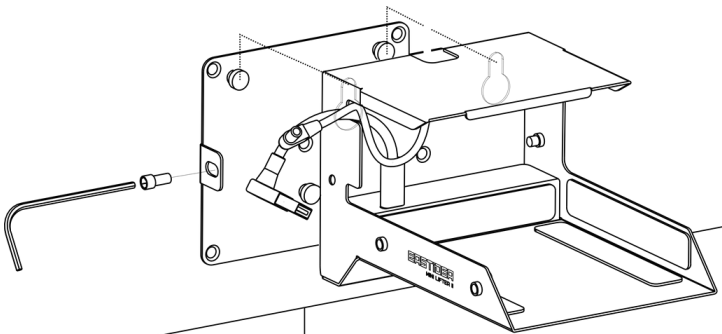
Take out the wall bracket from the box and insert the USB type C port cable is connected within the bracket usb port



STEP 6

How to Install a Projector Bracket:

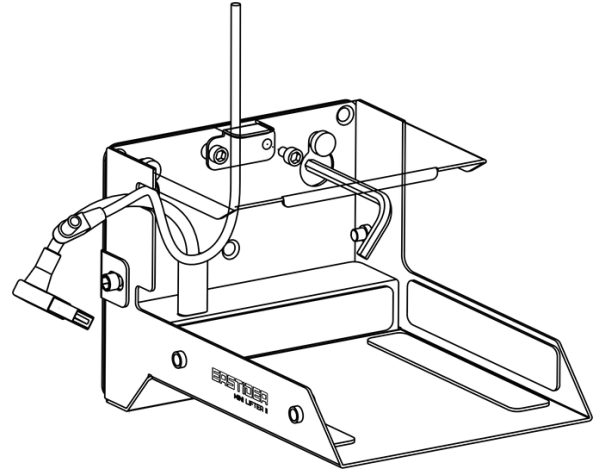
1. Fasten the projector bracket onto the wall mount plate, using the anti-vandal screws provided.
2. Tighten the screws firmly with a hex key from the bracket box to ensure stability.
3. The projector frame has three holes. Make sure you have installed the frame correctly on the wall mount as shown in the diagram below.



STEP 5

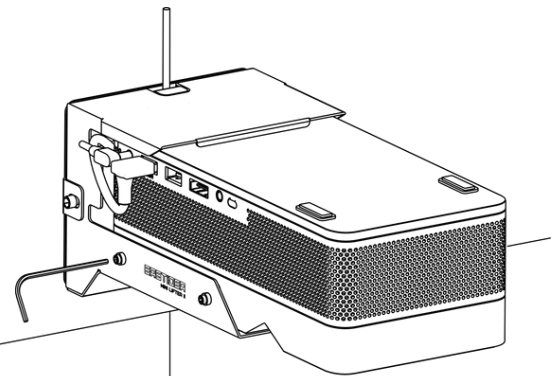
Instructions for Installing a Projector Power Adapter
Follow these simple steps to properly install your projector power adapter:

- Insert the power cable into the bracket as shown in the scheme.
- Use a screwdriver to secure the electric cord with a fixator inside the bracket.



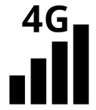
STEP 7

Before attaching the frame to the wall mount, carefully insert the projector into the frame and secure it flat on the bottom inside the frame. Using a hex key (included with the frame), lightly tighten the security locks on the sides of the frame (there are 4 of them, two on each side). Then you can mount the projector with the frame on a wall mount.
Don't forget to insert the USB cable into one of the USB ports on the projector, and don't forget to connect the cable from the power supply to the projector itself.



STEP 8

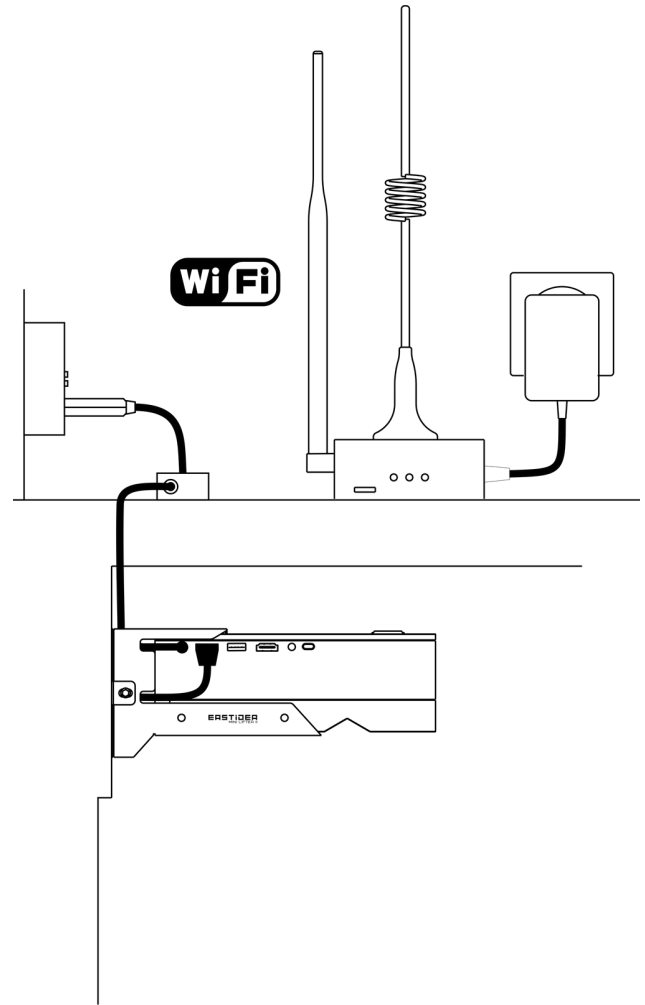
Step number 8, same as the previous steps, is carried out with the help of an elevator engineer.



NOTE: The elevator cabin is not a sealed structure, but a prefabricated structure. The elevator roof is assembled from several parts.

At the moment the electric wire and power supply are brought out to the roof of the elevator, the elevator engineer rises to the roof of the elevator and his assistant from the elevator cabin hands him the wire with the power supply.

1. Route the wire along with the projector power supply to the elevator roof through the elevator roof sheet structure.
2. After the wire is brought out to the roof of the elevator, insert the digital switch located on the roof of the elevator into the electrical outlet and then insert the plug from the projector and its power supply into it. Note: all electrical peripherals such as electrical sockets, light, and internet are located on the outside of the elevator roof.
3. Install the wireless 4G Wi-Fi router supplied with the projector on the roof of the elevator. Plug it into the socket on the elevator roof as well.



ELEVATOR ROOF TOP



STEP 9

The final step in the physical installation of an advertising projector in an elevator is to apply projection film to the inside of the elevator doors.

To do this, use the projection film in a tube that comes with the projector.

Technique for applying projection film to elevator doors:

First, ask the elevator engineer to close the elevator doors from outside the elevator. Elevator doors must be closed.

Wipe the surface of the door, making sure that the surface is smooth and free of dirt.

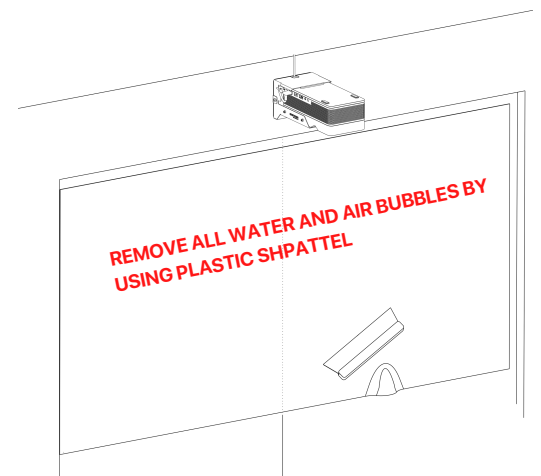
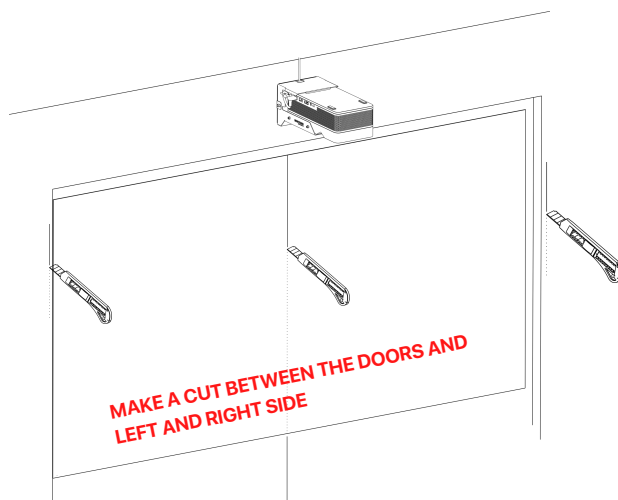
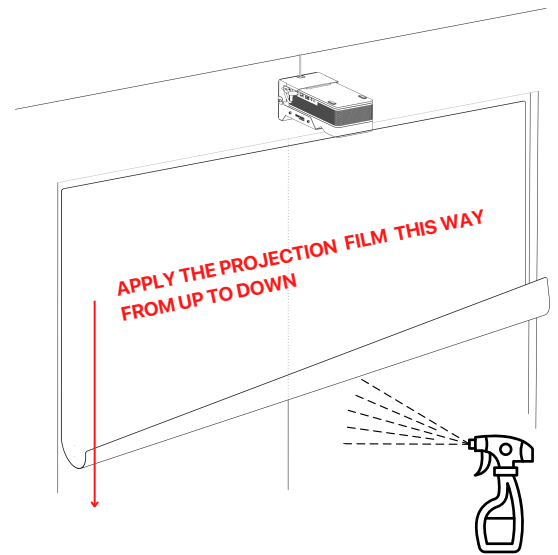
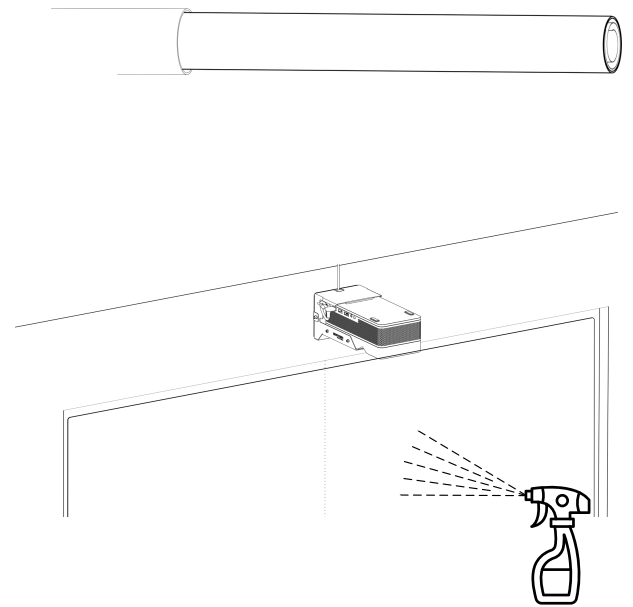
lightly walk with a damp cloth (moistened with water) or use a spray bottle with plain water, apply a thin layer of water to the surface of the doors (so that you can correct the position of the film and easily get rid of air pockets that may form when applying the film to the doors).

Remove the film from the tube. Unwind the projection film across the width of the door a little and peel off the protective film from the adhesive side of the projection film at the top of the projection film. Cut the film in width with a small margin in length

Slowly, from the highest point of the elevator doors from top to bottom, begin to stick the film over the entire surface of the doors.

After you have completely pasted the film and aligned the location of the film vertically and horizontally, use a utility knife and carefully make a vertical cut exactly in the middle between the elevator doors. Also cut on the sides on the right and left. you should end up with an even horizontal rectangle.

That's it, at this stage the physical installation of the projection advertising set in the elevator is completed.

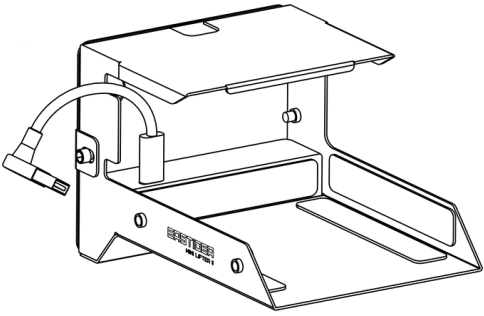


That's it, at this stage the physical installation of the projection advertising set in the elevator is completed.

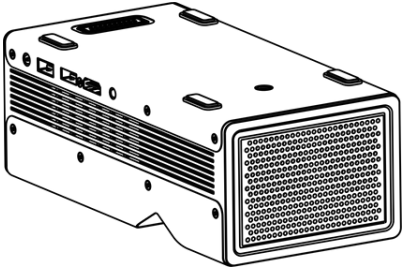
EI MINI LIFTER® II

Full Set

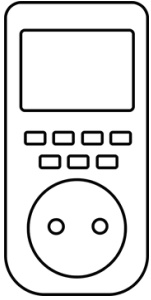
WALL MOUNT DIGITAL BRACKET



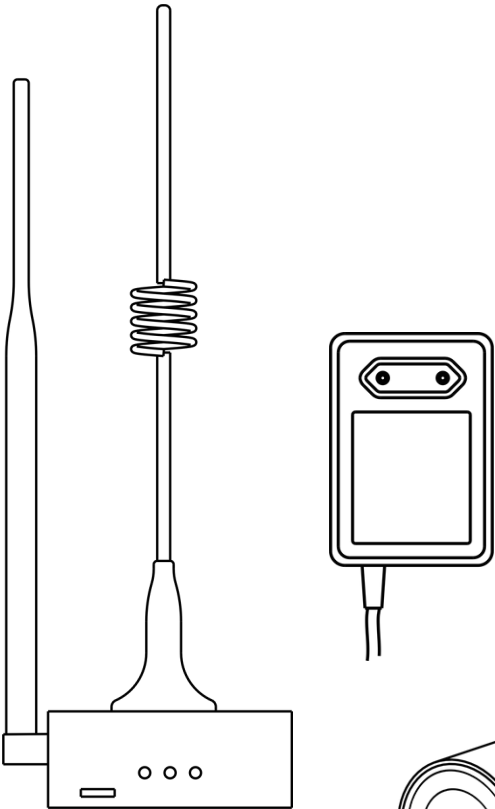
ELEVATOR ADVERTISING ULTRA SHORT THROW DLP PROJECTOR



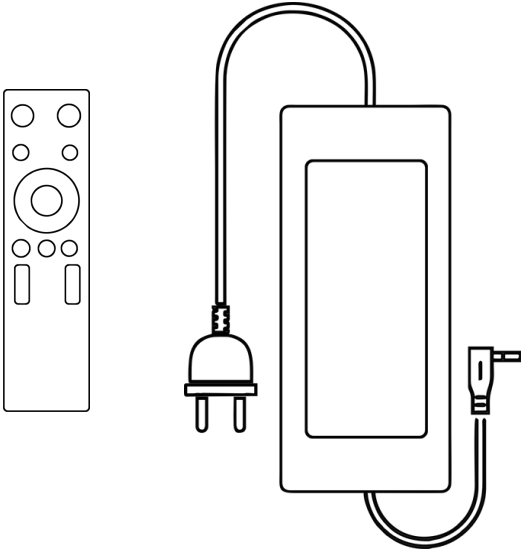
ON / OFF DIGITAL TIMER SWITCHER



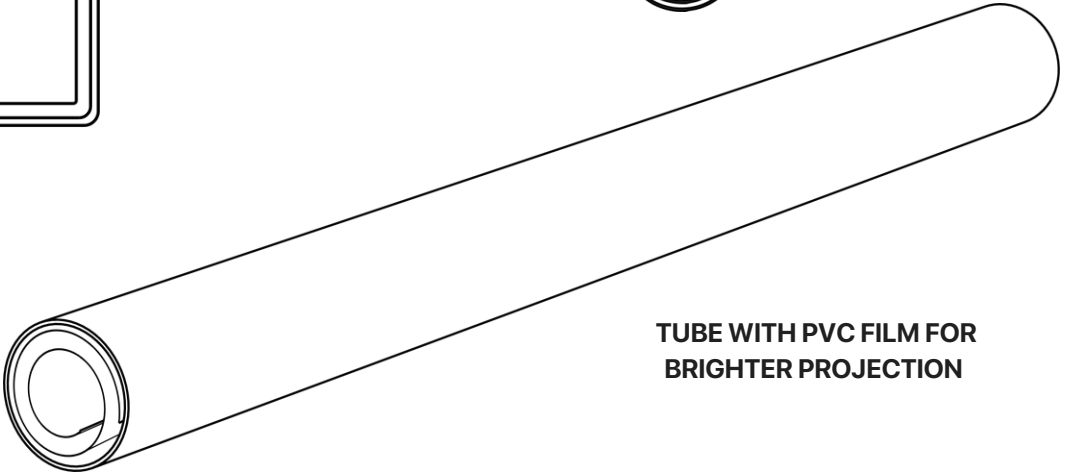
INDUSTRIAL GRADE WIRELESS 4G WIFI



AIR MOUSE REMOTE CONTROLLER & POWER ADAPTER



TUBE WITH PVC FILM FOR BRIGHTER PROJECTION



Contact Us

Eastidea Co., Limited
China | Hongkong | Shanghai
Zhaojiabang Road 798,
Kunyang International Business Plaza,
Office 301D, Xuhui Distr. Shanghai,
China 200030.

Email: info@yeastidea.com

Phone: +86.21.604.711.73

Youtube: <https://www.youtube.com/@eastidea>

Web: www.yeastidea.com

