

TECH SPECS

EI MINI LIFTER II PRO EDITION ®

Smart advertising projection system for in elevators and indoor locations



EI MINI LIFTER II PRO MEDIA PROJECTOR TECH SPECS



Ei Mini Lifter II PRO Model: Ei 2401

Device size: 19.4*9.4*6.7cm

Projector name: Eastidea Ei Mini Lifter® II PRO Ei 2401

Weight: 0.74 kg lightweight and portable

CPU: Amlogic T972

GPU: Quad-Core A53

ROM: 16GB

RAM: 2GB

Focus: Digital Focus, built in keystone correction

Projection technology: DLP

Input Power Resolution: 1*DC: AC100-240V,50/60Hz
DC 19V 4.7A

Built-in sound power: two speakers 10 watts each

Brightness: 350 ANSI

Resolution: 1920*1080

Compatible with 4K content

Recommended projection area 20 to 90 inches

Throw ratio 0.26:1

HDR10+HLG

MEMC Compensation, No blue light, All glass lens

Dual band WIFI

Bluetooth extension

Low heat dissipation

20000+h lifespan

Wall betting & front betting dual mode

One-year All unit warranty

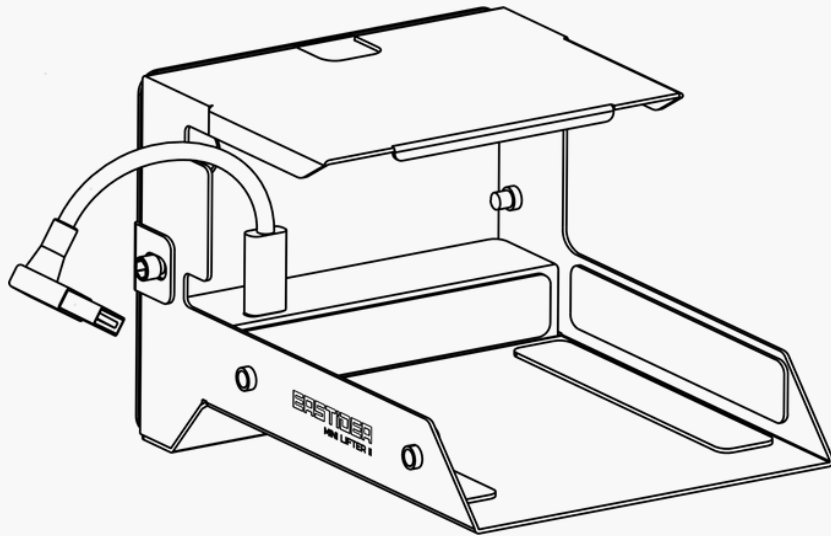
Three-year optical machine warranty



WALL MOUNT BRACKET

Ultra short throw projector Ei Mini Lifter II

Patent pending cutting edge technological wall bracket



Product description:

Material: anti corrosion and rust galvanized metal SGCC

Thickness: T= 1.0mm

Color: dark gray

Product size: 140 *850*100mm

Digital FHD AI Camera sensor detection and ad analysis

USB Type C connector

Anti thief fixators



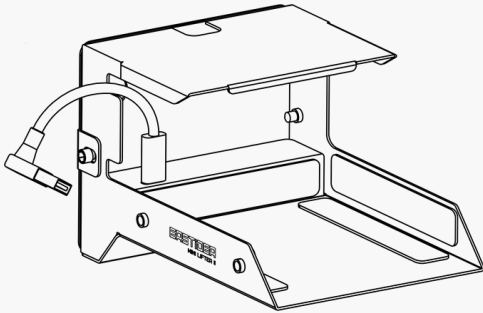

RoHS
Compliant



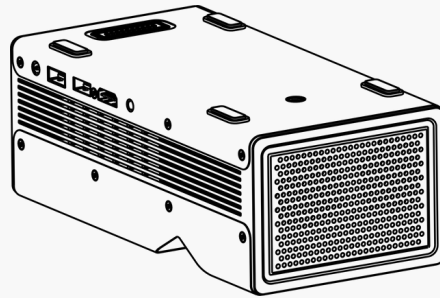
EI MINI LIFTER® II PRO

Full Set

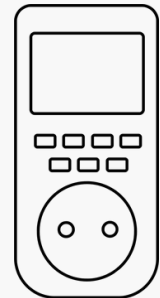
**WALL MOUNT DIGITAL
BRACKET**



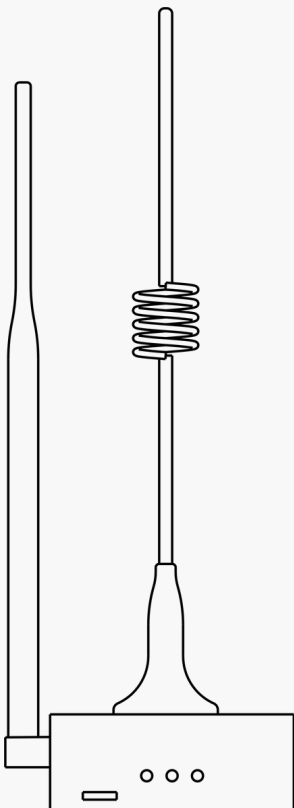
**ELEVATOR ADVERTISING ULTRA SHORT
THROW DLP PROJECTOR**



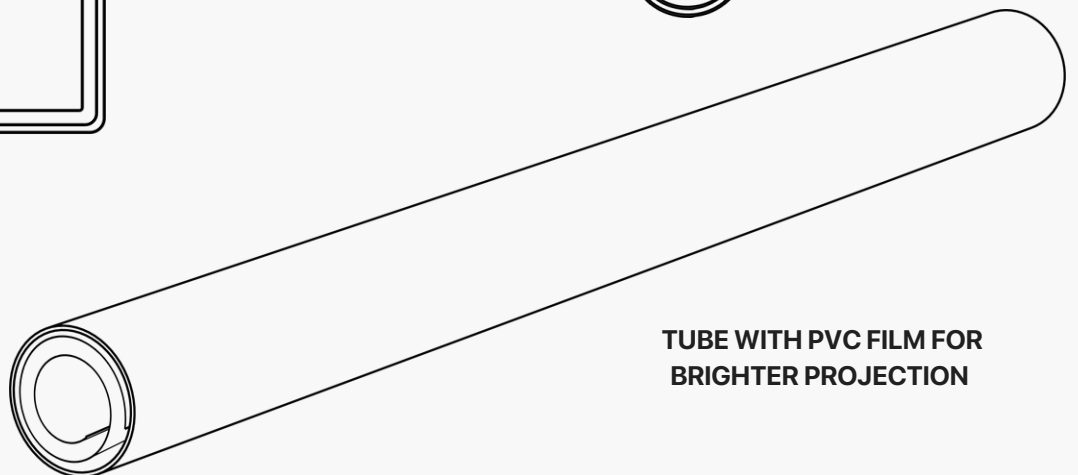
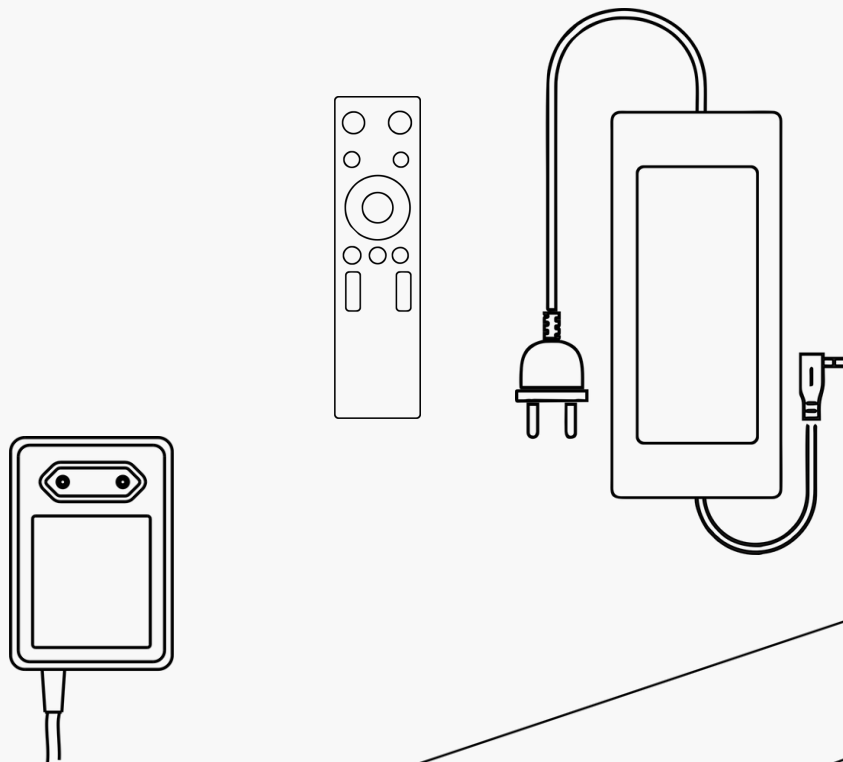
**ON / OFF DIGITAL TIMER
SWITCHER**



**INDUSTRIAL GRADE
WIRELESS 4G WIFI**



**AIR MOUSE REMOTE CONTROLLER
& POWER ADAPTER**



**TUBE WITH PVC FILM FOR
BRIGHTER PROJECTION**

Contact Us

Eastidea Co., Limited
China | Shanghai | Hongkong
Haifang Rd 555 2 221
www.yeastidea.com

Contacts:
Email: info@yeastidea.com
Phone: +86.21.604.711.73
Youtube: <https://www.youtube.com/@eastidea>

